



(Flexi Conveyor shown is optional)

Suitable for operator-free control, this machine includes a top flap closing unit, two tapeheads for top and bottom sealing, interchangeable tapeheads, adjustable legs, adjustable side squeeze wheels, locking castors and fully interlocked guarding as standard.

Features of the FP-T include:

Rapid Adjustment



Quick and easy manual size change for tool-free changeover for each case size.

Interchangeable Tapeheads



The instantly removable, interchangeable tapeheads are easily threaded and are fitted with integral steel knife guards. This means that tape can be reloaded rapidly while the machine is still running. It also means that fewer spare tapeheads are required thereby significantly reducing spare parts costs.

Four Column Construction



The use of our unique four column design provides added stability for the taping bridge to ensure the machine runs smoothly at all times with minimal interruption and it provides the support necessary for the floating bridge feature.

Operator-free Control



With automatic case closing and taping for the top and bottom flaps, no operator is required and manual size change is quick and easy with tool-free changeover for each case size.

Dual Action Hook



The rear flap folder on the FP operates in two phases to give a progressive fold of the rear case flap to ensure efficient case closing.

Low Cost of Ownership



All Endoline's machines are designed for maximum efficiency and productivity thereby reducing the cost of ownership to a minimum. This case sealer comes at a low capital cost and immediate savings can be seen through reduced labour costs and increased packing speeds.

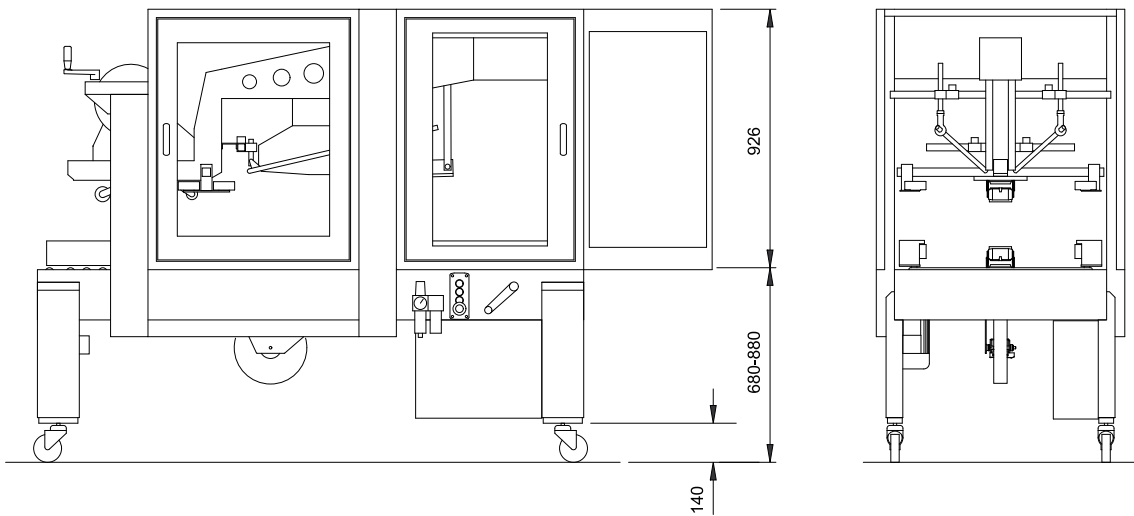
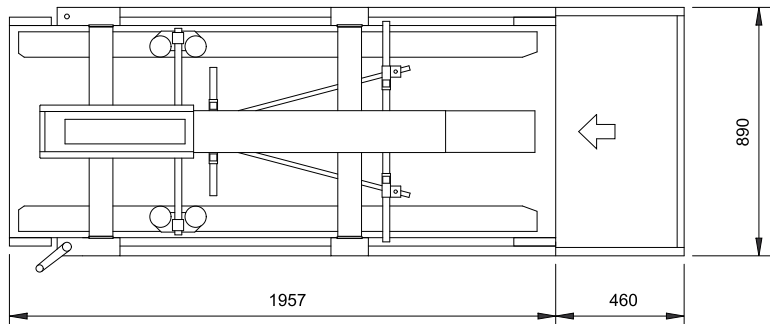


FP-T

Fully Automatic Pre-Set Case Taper

Options include:

- Low tape and no tape sensing
- Infeed spacing table
- Discharge conveyor



Case Dimensions (mm)

Length	Width	Height
120 to 610	100 to 500	110 to 500

Electrical Supply
240V/1ph/50Hz
500W
2amps nominal

Tape Size
Standard: up to 50mm wide

Handing
Right to left

Machine Finish
Mild steel painted RAL9010

Bed Height
With castors 680 - 880mm

Controls
Stop/Start and Emergency Stop

© Endoline reserves the right to change specifications without prior notice.



Endoline Machinery Limited
Stratton Business Park, London Road
Biggleswade, Bedfordshire
SG18 8QB
United Kingdom

Telephone: +44 (0) 1767 316422
Facsimile: +44 (0) 1767 318033
E-mail: sales@endoline.co.uk
Website: www.endoline.co.uk